

INDEX

Seat: **A**

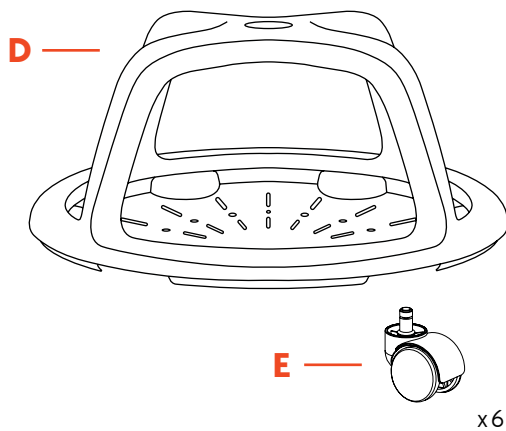
Writing Tablet: **B**

Gas Cylinder: **C**

Base: **D**

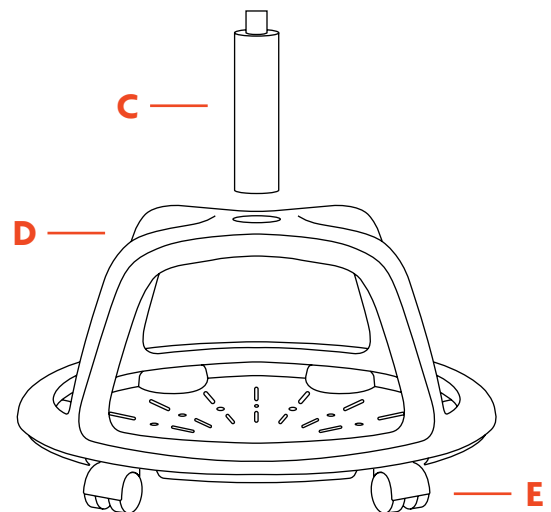
Casters: **E**

STEP 1



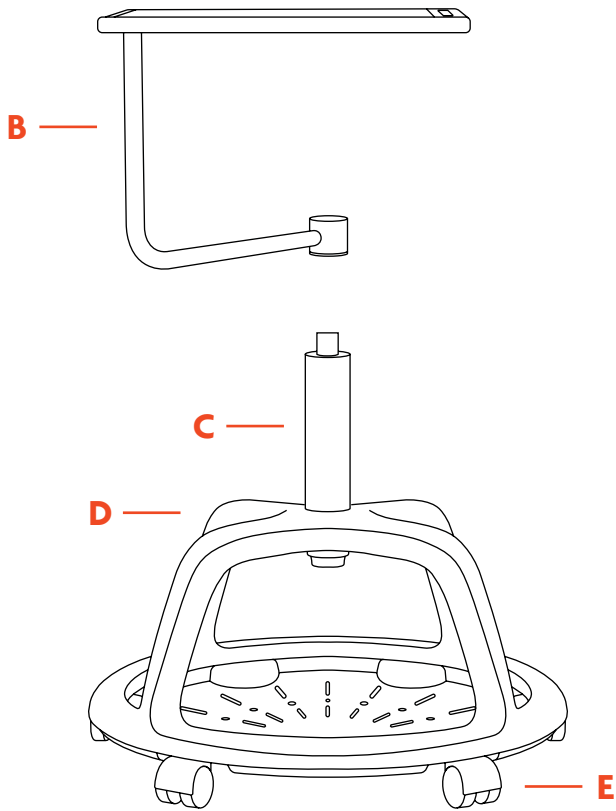
Insert each of the six Casters (**E**)
into the Base (**H**)

STEP 2



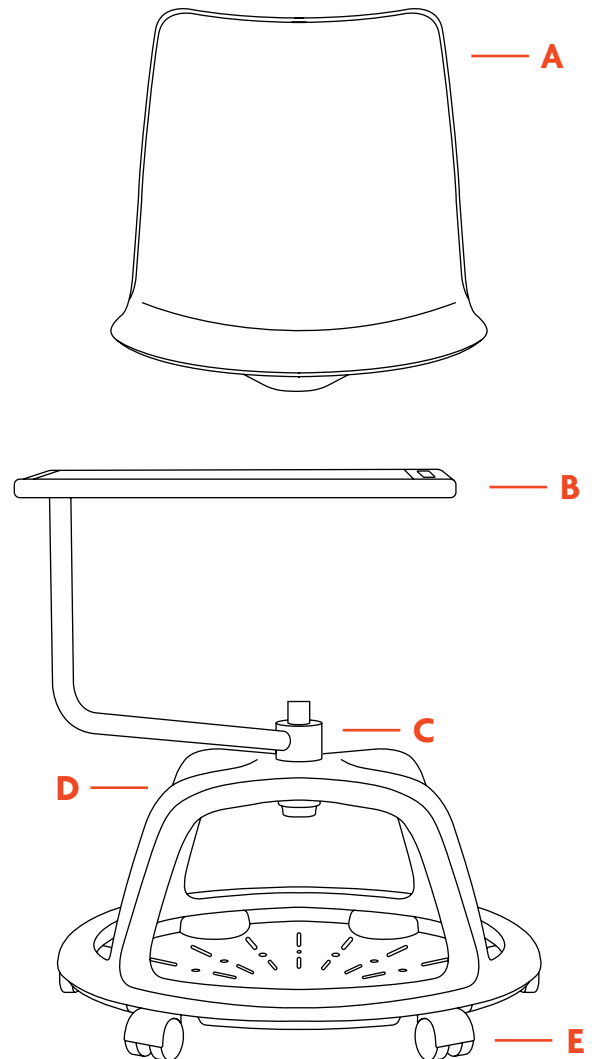
Insert the Gas Cylinder (**C**)
into the Base (**D**)

STEP 3



Attach the Writing Tablet (B)
onto the Gas Cylinder (C)

STEP 4



Attach the Seat (A)
to the Gas Cylinder (C)