



borgo®

Excellence in fixed seating and more

MYSPLACE





In 1984 Borgo was founded with the vision for reliable, forward-thinking furniture that is well designed and well built. We are a wholly Canadian owned company manufacturing in Toronto, Ontario.

Over the years, Borgo has become known for the quality of its products, and it's commitment to service, which is reflected in the number of repeat clients. The consistently well-manufactured product that we produce and our service record, have awarded us ISO 9001: 2008 registration.

Many of Borgo's Products have been tested and approved by both the Canadian and U.S. federal governments. Our "Supply Arrangement" and GSA business is a source of great pride.

Our future growth is based in the strength and experience of our past, but relies on our ability to see, anticipate and respond to the ever-changing requirements of an evolving working and learning environment.

We define excellence in fixed seating as enhancing the customer and user experience in every possible way. This begins with innovations in safety and comfort which lead to helping our customers create a space that strengthens the benefits for users.

Our expertise in fixed seating, in areas such as responsive customizing, Italian design and Canadian ingenuity, lends itself to our many offerings in corporate, hospitality and healthcare.

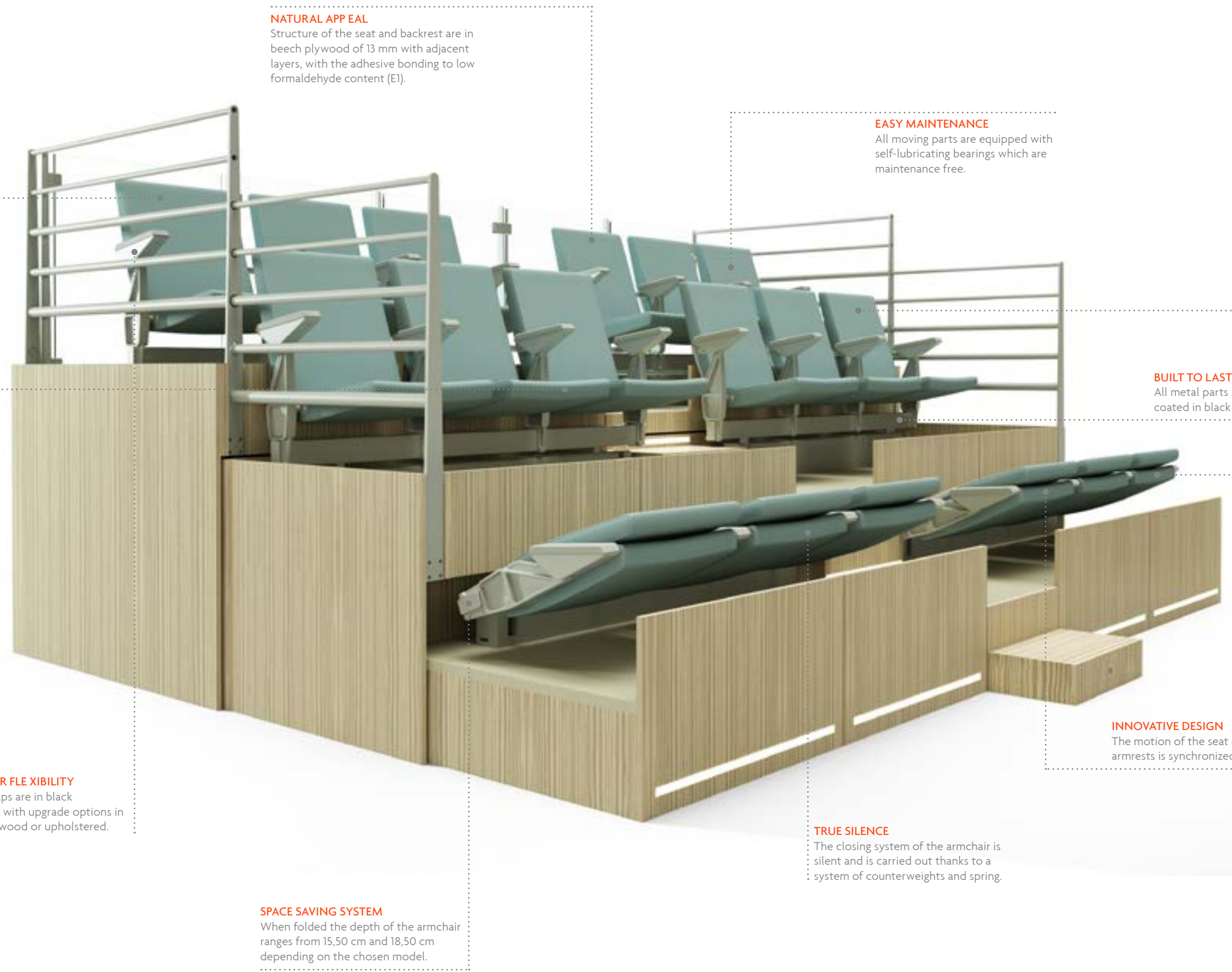
Eco-Friendly

As a company and community neighbour, we are exceedingly proud of the fact that Borgo manufactures products that are among the most sustainable in the industry. As a manufacturer of seating and case goods, each of us at Borgo understands our responsibility to continuously seek new technology, source progressive materials and develop better processes for producing our products and reducing our footprint on the earth. We are making the effort, and our footprint is getting smaller and smaller.

Some of the areas in which we have made notable progress are:

- Awarded August 4, 2009 following an audit by ameriGreen STRATEGIES Certification.
- No urea formaldehyde will be used.
- Borgo uses rapidly renewable materials and recycled content in more than 50% of our products.
- Overall, over 95% of the waste produced in our factories is now being recycled. The amount of waste being sent to the local landfill has been reduced by over 70%. And we are continuously working to improve these numbers.
- State of the art, largest textile cutting machine of its kind in North America has reduced our textile waste of up to 30%.





ENGINEERED & DURABLE

The padding is made of polyurethane foam cut from the block of self-extinguishing according to CSE RF4 / 83 (UNI 9175) with a degree of fire reaction class 1 IM, density:40 kg / m3 glued to the wooden structure with adhesive resins water-based.

DESIGNED FOR YOU

The seat and back are available in two versions - With an outer panel in beech plywood having a thickness of 10mm or seat and back fully upholstered.

DESIGNED FOR FLEXIBILITY

The armrest caps are in black polypropylene with upgrade options in natural beech wood or upholstered.

NATURAL APPEAL

Structure of the seat and backrest are in beech plywood of 13 mm with adjacent layers, with the adhesive bonding to low formaldehyde content (E1).

SPACE SAVING SYSTEM

When folded the depth of the armchair ranges from 15,50 cm and 18,50 cm depending on the chosen model.

EASY MAINTENANCE

All moving parts are equipped with self-lubricating bearings which are maintenance free.

ALL IN THE OPTIONS

MySpace is available on a beam. The steel beam is rectangular with a dimension of 80 x 40 x 2 mm.

BUILT TO LAST

All metal parts are epoxy powder coated in black or gray metallic.

DESIGN IS IN THE DETAILS

Foot with motorized and folding system for telescopic tribunes and gas piston to ease the fold of the chairs.

INNOVATIVE DESIGN

The motion of the seat and armrests is synchronized.

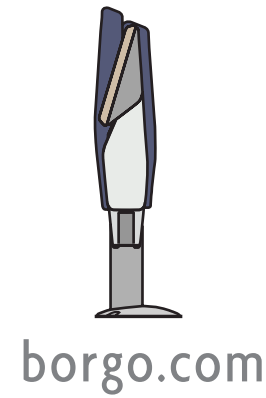
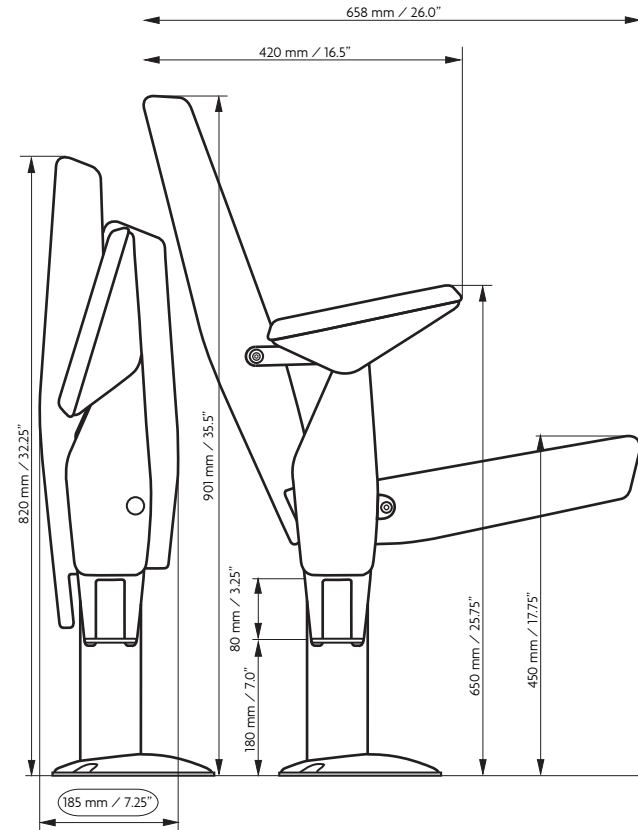
TRUE SILENCE

The closing system of the armchair is silent and is carried out thanks to a system of counterweights and spring.

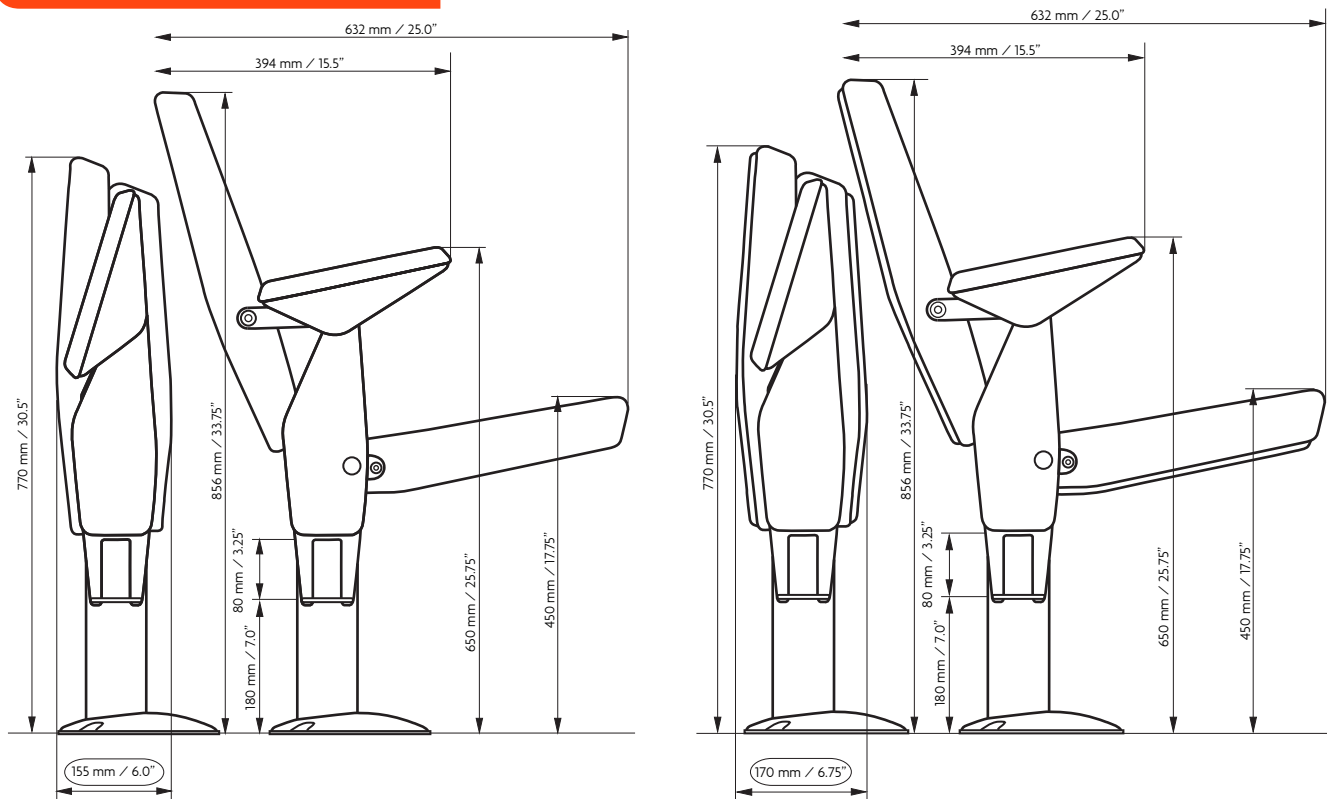
Scan here to see a video of the MySpace



MYSPACE



MYSPACE COMPACT



ISO 9001:2008
certified

